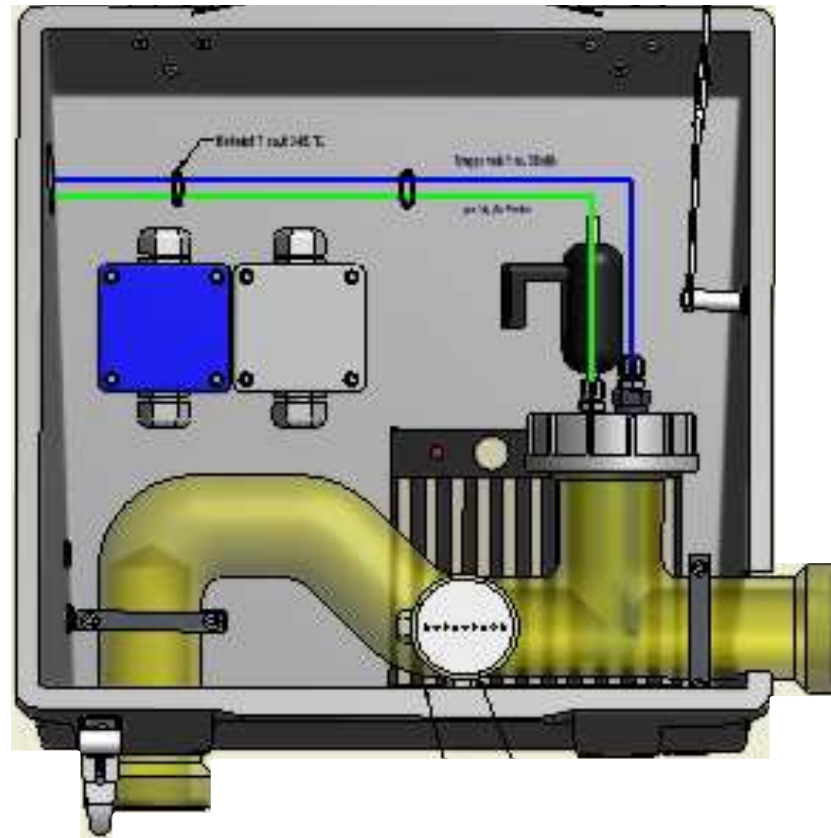


Inline-Stripper monitoring of hydrocarbon in water

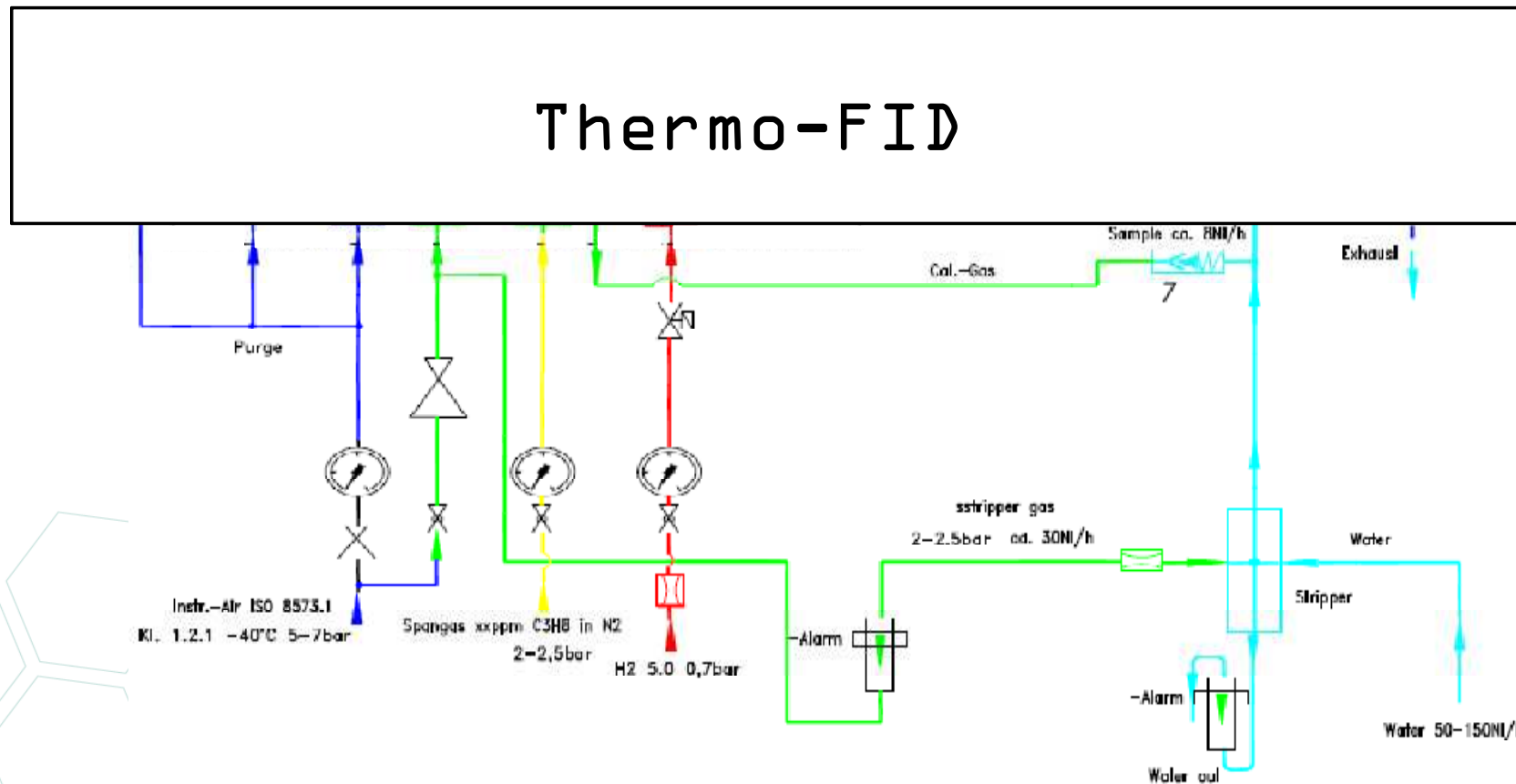


Index

- *1. Flow chart*
- *2. Assembly of the Inline-Stripper*
- *3. Description*
- *4. Technical Specification*
- *5. Application*
- *6. Atex Application*

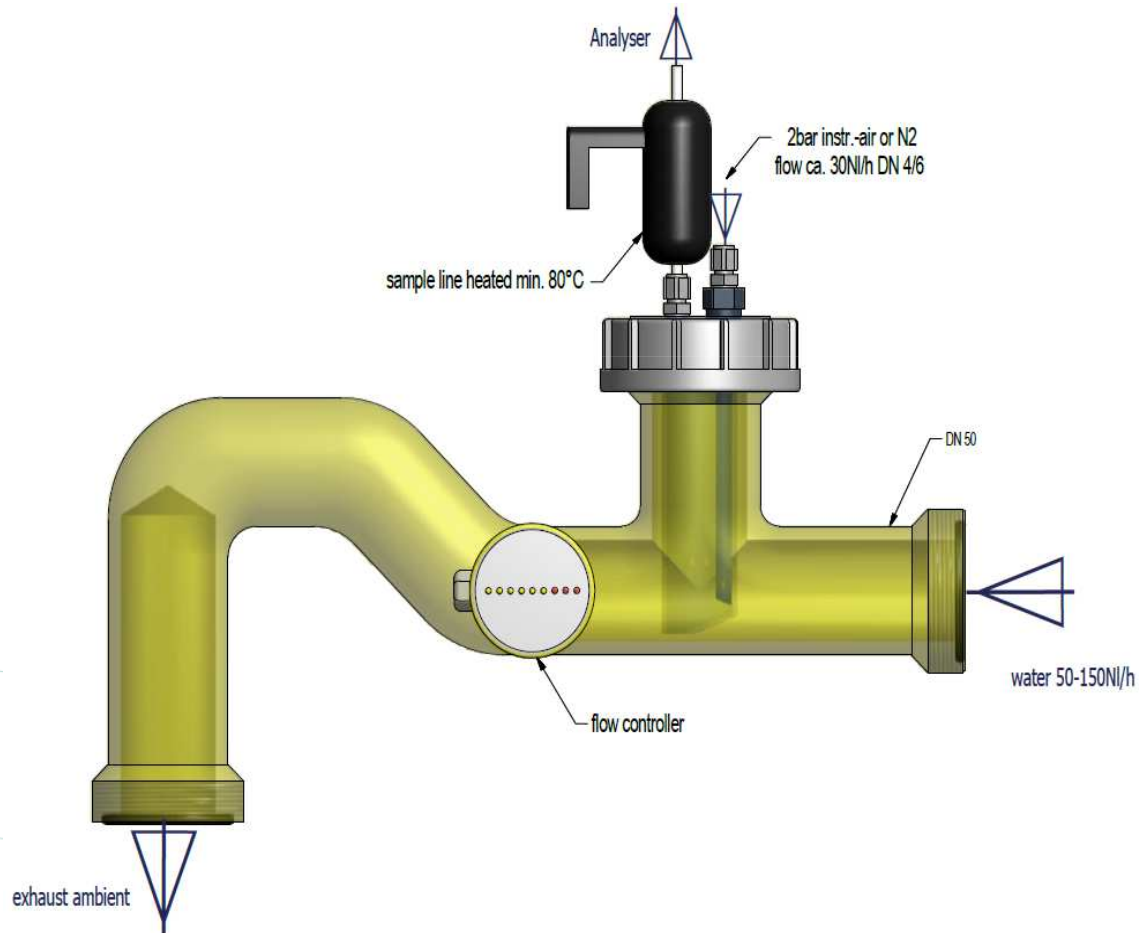
Inline-Stripper

1. Flow chart



Inline-Stripper

2. Assembling of the Inline-Stripper



Inline-Stripper

3. Description

- Unfiltered waste water
- N₂ purges hydrocarbon out
- Heated sampleline to the analyzer
- Flow control of the waste water
- Flow control of the stripp gas
- effect of variation of temperature
- Only possible when water temperature is higher than the ambient temperature, max 50 ° C
- Calibration by reference, solution for one component

Inline-Stripper

4. Technical Specification

Connection:	thread DN 50
Flow:	50-150NI/h
Process pressure:	P=>0,1 bar
Drainage:	ambient pressure
Stripgas:	N2 ,max. 30NI/h / 2,5bar
Accuracy:	10% variance

Inline-Stripper

5. Application

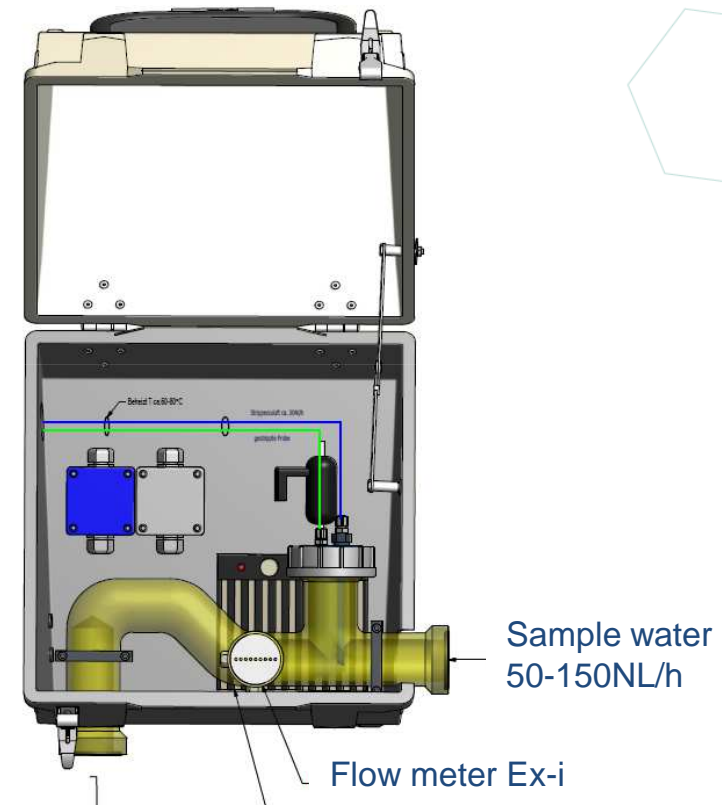
- Monitoring of hydrocarbons in waste water
- Water insoluble substances
- Water soluble substances in high concentration
- Aromatic hydrocarbons

Examples:

- Process water monitoring
- Cooling Water monitoring
- Available for ATEX Zone 2

Inline-Stripper 6 . ATEX Application

- ATEX conform housing
- ATEX conform stripper material
- ATEX heating unit
- Stripp water flow control
EX-i
- Stripp gas flow control
Ex-i
- ATEX self regulated sample line
80°C



Drainage, ambient
pressure

Heating unit 40° C

Inline-Stripper 6 . ATEX Application

- ATEX self certified
Zone 2 cabinet
- Completely assembled
- ATEX anti-icing thermostat

SK-BENELUX BV
AUTHORISED PARTNER OF SK-ELEKTRONIK GmbH

SK-Benelux BV
Parallelweg 35b
NL-4878AH Etten-Leur
mail@sk-benelux.nl
www.sk-benelux.nl

